

aquatica®

Function : Form : Fashion



Colonna-120

Freestanding Tub Filler

Installation & Care Manual

USA / CANADA

Aquaticausa.com
Aquaticabath.ca
E: info@aquaticabath.com

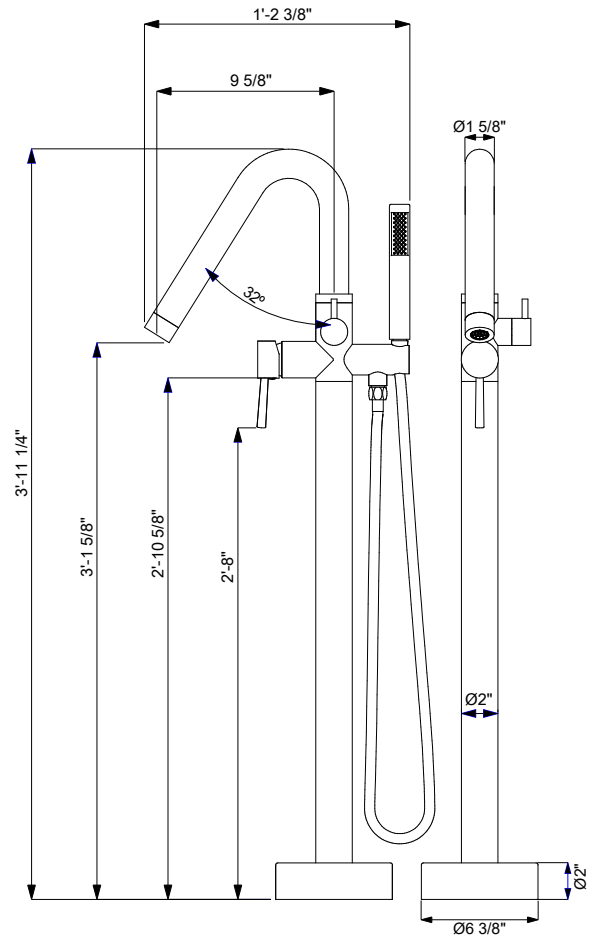
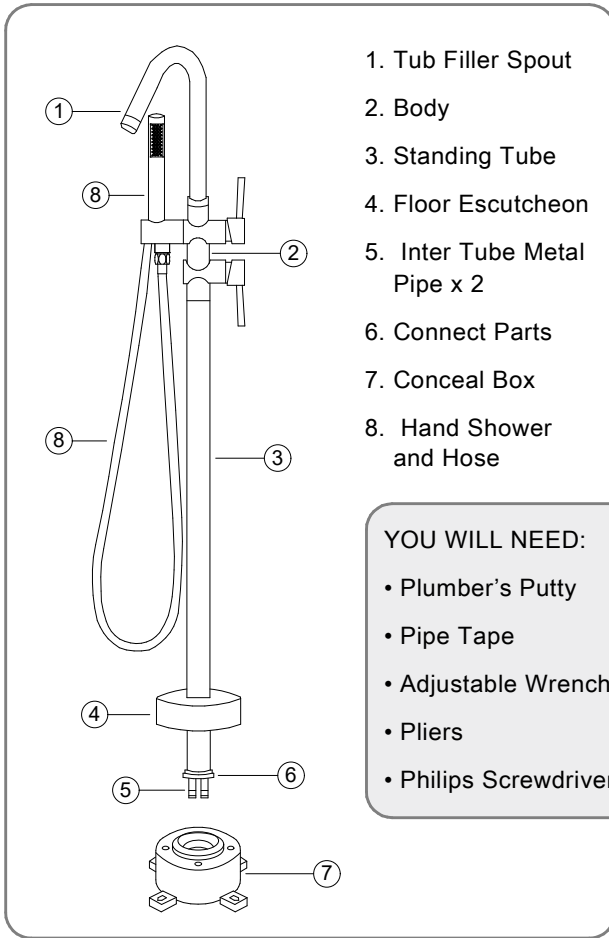
aquatica®

Function : Form : Fashion

Colonna-120

Freestanding Tub Filler

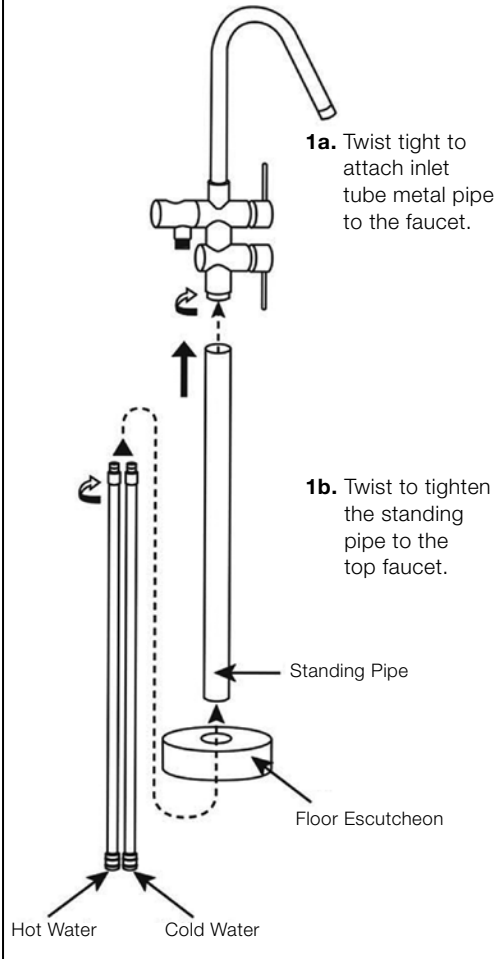
PARTS LIST



MEASUREMENTS: inches



1 FAUCET INSTALLATION STEPS

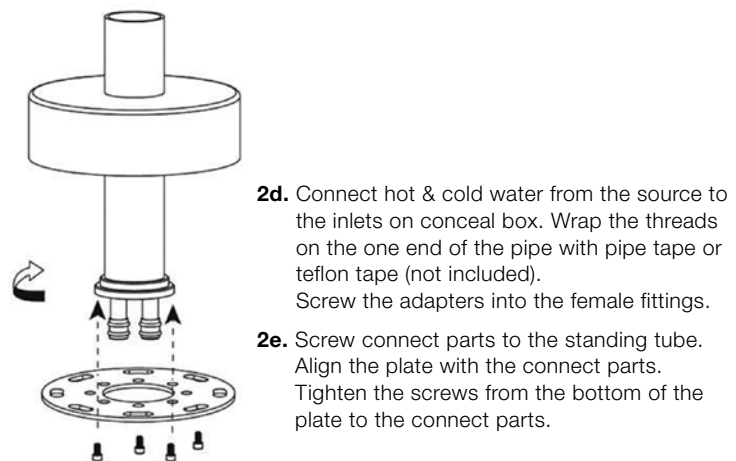
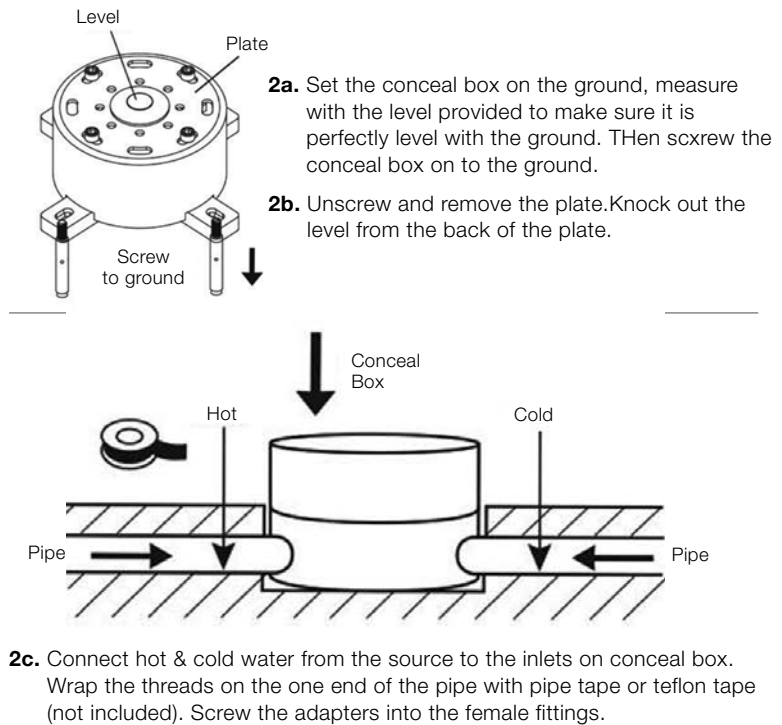


CLEANING & CARE:

Care should be exercised when cleaning this product. Although its finish is durable, it can be damaged from harsh abrasives and cleaning pads.

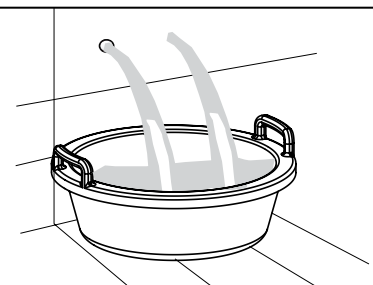
To clean, use light, non-abrasive cleaning solution or cleaning polish.

2 CONCEAL BOX INSTALLATION STEPS



IMPORTANT NOTE:

- Installation to be performed by qualified personnel
- Before connecting to mains, bleed the pipes to avoid damage.



Colonna-120

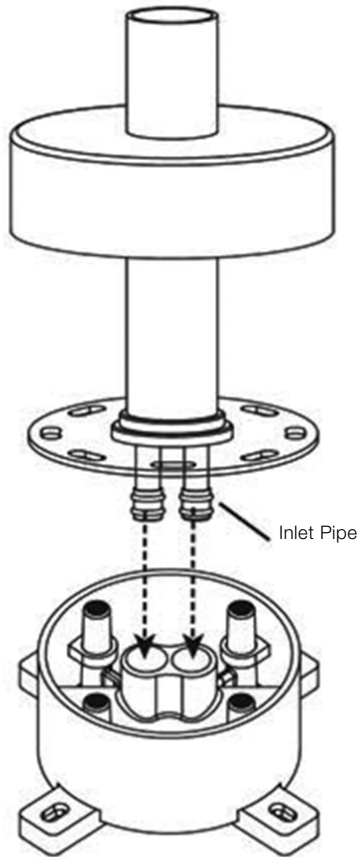
Freestanding Tub Filler

INSTALLATION SEQUENCE

aquatica®

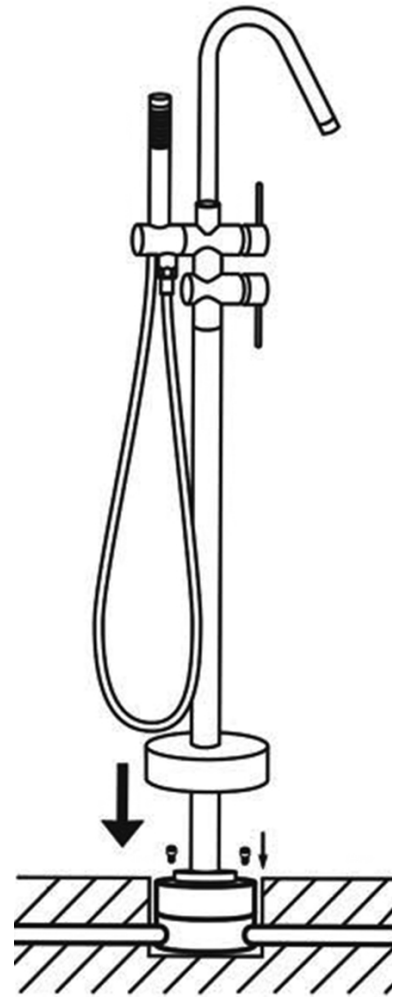
Function : Form : Fashion

2 CONCEAL BOX INSTALLATION STEPS continued



2f. Screw the plate onto the bottom of the faucet base with the 4 hex screws provided.

Insert the assembled faucet body into the conceal box. Insert the inlet pipe to the hot and cold outlet tube of the conceal box.



2g. Tighten the plate to the conceal box. Place the cover.

2h. Install the hose to the hand shower and the tub filler. Please check the tub filler spout and hand shower water flow are functioning correctly.

aquatica®

Function : Form : Fashion



CE

AQUATICA PLUMBING EUROPE LTD
VAT: LV40103634778
"Dienvidi" Industrial Park
Daugmales pagasts,
Kekavas novads LV-2124
Latvia

Conforms to: BS EN 14516:2015+A1:2018,
ASME A112.19.7-17/CSA B45.10-17